

Welcome to use our MINI ET700 GPS/GPRS/SMS Car tracking system, MINI ET700 is specially made for car tracking, it has 2 versions: Without 2 way voice call version ( Using Philip GPRS/GSM module), and with voice function version ( using SIMCOM GPRS/GSM module). MINI ET700 is small enough for easy installation.

## 1. Main Features.

### Tracking

- Fixed time/distance report
- Mileage report
- Vehicle status report:
- Ignition on/off report
- Report upon request
- Intelligent vehicle moving report
- Intelligent vehicle stopping report
- Keep Alive GPRS connection
- GPS storage when GPRS disconnected,
- Support GPRS and SMS
- Emergency report
- Carjacking alarm
- SOS Cry for help rescue report
- Main power disconnecting alarm
- Low voltage alarm
- Geo-fencing alarm report
- Speeding alarm report

### Control

- Immobilization of vehicle engine
- Position enforced update
- Cut engine fuel
- Recover engine fuel
- Recover alarm
- Clear logged data
- Re-set tracker
- Voice monitoring / 2 way voice call

### Remote & Onside Setting

- Set time interval
- Set distance report
- Set speed limit
- Set data logging time interval
- Data-log uploads numbers
- Data-log time periodical upload
- Set Geofence

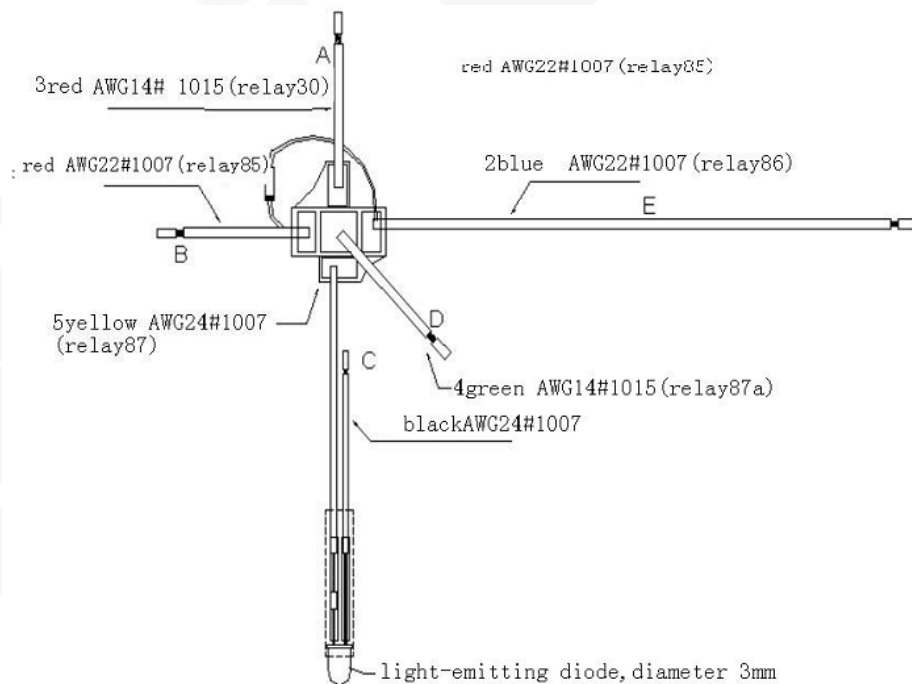
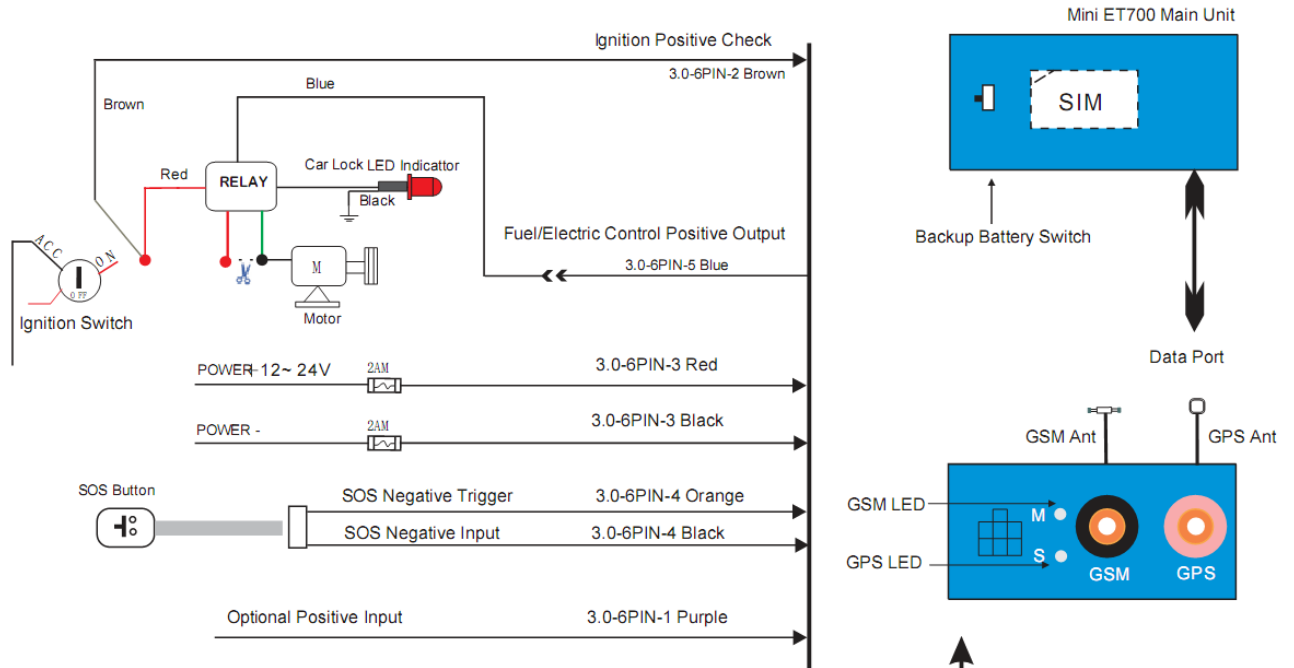
## 2. Package and Accessories.

- Main unit
- GPS/GPRS antennas
- Wire harness
- SOS button
- Engine Cut Relay
- Mounting sticker
- voice wire ( Optional )
- Microphone ( Optional )
- Speaker ( Optional )

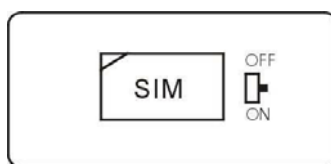
### 3. Installations.

Open the back cover then insert the SIM card into the device ( the SIM card should be SMS and GPRS function activated / enabled ), turn on the backup battery .

Install the device as the following installation diagram.



- (1) Open the back cover then insert the SIM card into the device (the SIM card should be opened SMS and GPRS functions), Turn the back battery on.



- (2) Connect GPS and GSM antenna and put them in the open air.  
 (3) Put the big red cable connect to power 12V(+), the big black cable connect to power 12 V(-)

#### 4. Configurations

(1) Configure by SMS

- A. Send `"*GP001<center number>,<Password > "` to set the center number  
 Return by SMS/GPRS `*CR001,<center number>`  
 e.g.: `Send"*GP00113927497492,0000"----- get the reply"*CR001,13927497492"`
- B. send `"*GP006,<Password>"` to set single time position request  
 Return by SMS/GPRS  
 e.g.: `Send"*GP006,0000"-----get the reply"`  
`&GPRMC,050023.000,A,2233.5925,N,11405.4652,E,0.00,0.00,240909,0,,FFFF,MMMM"`
- C. Send `"*GP011,<Password>"` to cut fuel  
 Return by SMS/GPRS `"CR011,ID"`  
 e.g.: `send" *GP011,0000"-----get the reply" *CR011,0000"`
- D. Send `"*GP013,<Password>"` to recover fuel cut  
 Return by SMS/GPRS `"*CR013,ID"`  
 e.g.: `send" *GP013,0000" ----- get the reply "*"CR013,0000"`
- E. Send `"*GP014,<Password> "` to lock door  
 Return by SMS/GPRS `"*CR014,ID"`  
 e.g.: `Send" *GP014,0000" ----- to get the reply"*CR014,0000"`
- F. Send `"*GP015,<Password>"` to unlock door  
 Return by SMS/GPRS `"*CR015,ID"`  
 e.g.: `Send" *GP015,0000"----- get the reply"*CR015,0000"`
- G. Send `"*GP023,<Password>"` to active mileage report  
 Return by SMS/GPRS `"*CR023,ID"`  
 e.g.: `send"*GP023,0000"----get the reply"*CR023,0000"`
- H. Send `"*GP024,<m>,XXXX "` to configure the mileage data  
 Return by SMS/GPRS `"*CR024,<mmmmm>,XXXX"`  
 e.g.: `send "*"GP024, 36125,0000"---- get the reply"*CR024,36125,0000"`  
 Need to send `*GP024, 0`, password to cancel mileage if you want

(2) Configure by PC program.

- A. Connect the device to your computer by RS232 cable. (Note: the device should also be connected to 12V power)  
 B. Install the driver program from your computer.



- C. Open this setup program choose the right Com Port  
 D. Set all parameters then click "set"



## 5. Tracking.

### ✚ Track by mobile phone SMS:

Send “\*GP006,<Password>” to request for current location of the device

Return by SMS/GPRS

e.g.: reply by tracker:

&GPRMC,050023.000,A,2233.5925,N,11405.4652,E,0.00,0.00,240909,0,,FFFF,MMMM”

### ✚ Track by Online Web Software

(1). Set the center number: \*GP001 center number, Password

(2). Set the ID number: \*GP004,ID number, Password ( Note: the ID number you should set the same as SMS/UIM number registered in your account )

(4) Set the IP, Port, APN, User name,Password: \*GP012,APN,User name,Password,IP,Port, Report time interval,Password (IP:220.165.009.225, Port:2332)

Note: All above commands you can set in the setup program. ( Note: Device number is the ID number)

(5) please login: [www.webgpstracking.net](http://www.webgpstracking.net)

Input your login name and password which we opened for you, then the device will show in the map



## 6. FAQ

A: Why the device can't be online on websoftware after I set the IP, Port, APN, User name, Password and ID number?

B: Please check all the parameters are correct? ID number should be the same as SIM/UIM number registered in your Account,. What's more, please check the SIM card inside the device is opened GPRS?

A: Why I can't input the parameters in the blank of the setup program when I set the parameters?

B: Please driver the hardware, open the right com, you should put the device connect to power 12V when you set the parameters by the setup program.

A: Why GPS could not locate?

B: Please check is the tracker in the communication area and check the antenna connected well?

A: Why the time show in the websoftware is not correct ?

B: The time depends on your server, time zone set in your account and the strength of the communication signal.

Please check all of them.

A: Why the device show the speed 5Km/H in the map when it stops ?

B: Because the GPS signal is not good, it will drifts sometimes.

A: How is the led flashing when the device work normal ?

B: Please watch the LEDs for 3 minutes, when green LED flashes at every 2 times, and red LED every 3 times, ( green LED and red LED flashes simultaneously for 2 times, red LED flashes one more time), that means the tracker now is ready to work, good GPS and GSM signal, now user can start to configure the device.

