

Welcome to use our ET800 systems, our engineering teams spend nearly 10 years, developed, improved this powerful GPS/GPRS/SMS vehicle tracking system, it incorporated the highest technologies and most difficult applications in this field, highlighted the top stability with 3 year warranty, since the day we are delivered to your hand. We suggest to use ET800 with our mapping software, since which is our another painstaking effort, and can benefit your business with great strength, together with ET800, they are loyal to the utmost for the efficiency and security of your fleet - land, air and sea.

This short instruction guide is a quick Extract from a complete ET800 user manual, in order to save your time, and get start as fast as possible. Your comments back to us, are always highly appreciated for our improvement.

## 1. Package and Accessories

Main unit

GPS/GPRS antennas

16 pin wire harness

12 pin wire

3 channel cable

voice wire

SOS button

Engine Cut Relay

Microphone

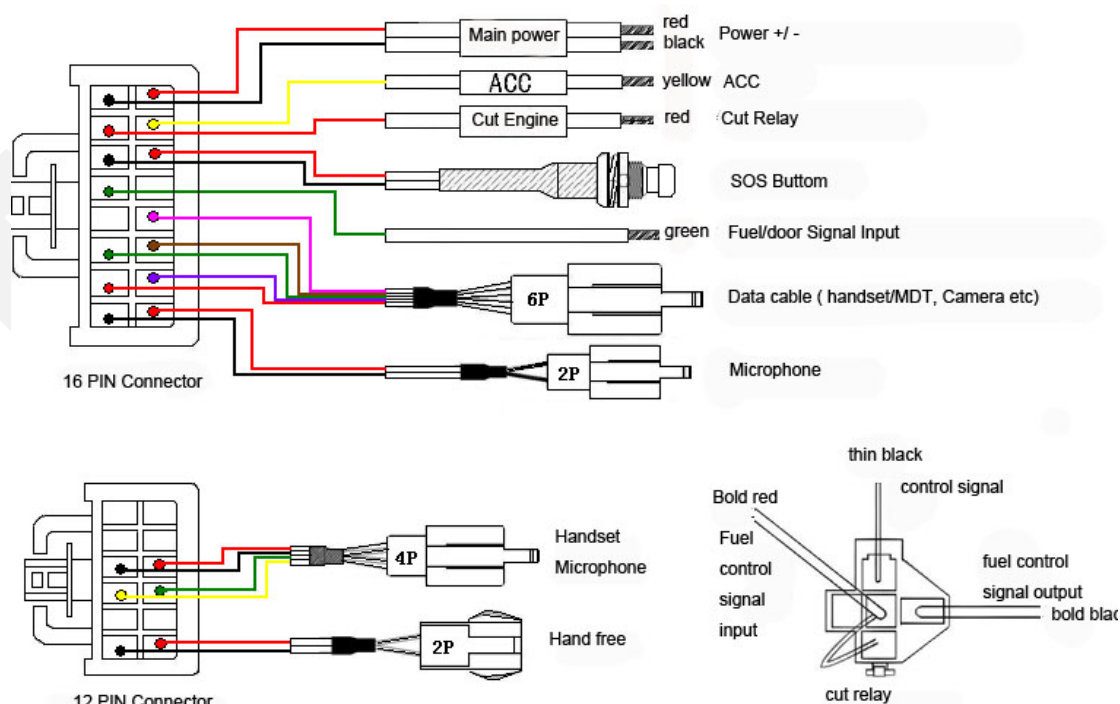
Optional Accessories: Camera, Handset, LCD display, Speaker, Door sensor, Temperature sensor, Shock sensor, Dallas ID key, Taxi meter, Navigator ( with/without maps)

## 2. Installations.

Open the back cover then insert the SIM card into the device ( the SIM card should be SMS and GPRS function activated / enabled ), turn on the backup battery .

Install the device as the following installation diagram.

ET800 Wire Diagram



Note: The Green cable of ET800D should not connect to door sensor , otherwise it will damage the device.

- (3) Connect to the GSM/GPS antennas, put the antennas in the open air, better let GPS antenna face to the sky
- (4) Find out the thick red cable from the 16 pin wires, put this red cable together with the ACC ( yellow cable), connect This 2 cables to the power 12V (+); find the big black cable from 16 pin wire and connect to the power 12V(-).

Note:when you test the device installed in your office you should put the yellow (ACC) cable together with the red

power cable and connect to power 12V(+), but when you install the device in your vehicle , you should connect the yellow (ACC ) cable to the vehicle ACC.

### 3. Configurations

#### 1) Configure By SMS, and Track by SMS:

**Street Location Query:** Send (AI\*Ppassword) to get the location by any mobile e.g.: (AI\*P111111)

Note: this command is valid only after the device is online to the websoftware.

**GPS Coordinates Query:** Send (AI\*Qpassword) to get the latitude and longitude by any mobile e.g.:(AI\*Q111111)

**Google link Query:** Send (AI\*Rpassword) to get the Google map link by any mobile eg:(AI\*R111111)

Note: the default password is 111111 or 222222

**Arming:** (AI\*S Password\* arming level)

Arming level:The Arming level is only used to set the vehicle starts whether sending short message inform the vehicle owner.

Stage 0: Login without Password Authentication, Vehicle start without notifying the owner;

Stage 1: Login without Password Authentication, As long as detecting ACC is open ,vehicle owners would be notified;

stage 2: Login Password Authentication required, Vehicle start without notifying the owner;

stage 3: Login Password Authentication required, As long as detecting ACC is open, vehicle owners would be notified

stage 4: Login Password Authentication required, when Entering the wrong password three times within two minutes or do not pass the validation in two minutes, notifying the owner. For Simple terminal, due to invalid Password Authentication, stage 2 is equivalent to stage 0; stage 3 and stage 4 are equivalent to stage 1

- After receiving the arming commands, it will automatically set the sender's cell phone number as the authorized number for the alarm.
- No matter what kind of arming level, emergency alarm, the battery voltage is low, the low power of main power supply etc. will still send short message to notify owners.
- E.g. Login password is 123456, arming level = stage 2, then the short message content: (AI\*S123456\*2).

**Disarm:** (AI\*C Password)

- E.g. Login password is 123456, then the short message content: (AI\*C123456) 。
- After disarming, Vehicle start and all the alarm does not send short message to owners. tracker will go back to default disarm status.

**Change Password:** (AI\*W Original password \*new Password)

e.g.: (AI\*W111111\*888888)

Note: The new password must be the same as the original password digits,the default password is 111111 or 222222

**Set call restriction** \*AI2011AGdr#

d: allow call, 0 means unlimited, 2 means disable call

r: allow answer, 0 means unlimited, 2 means disable call

e.g.: \*AI2011AG20#

**Set speeding alarm** (speed limit value) \*AI2011AH(1vv)#

**vv**: speed limit value, hexadecimal number is made up of 4 byte ASCII, unite is byte, 1 byte=1.852 Km/h. eg:45(0x45) means 69 byte, It means 128Km/h.

**Reset** \*AI2011BA0#

**Cut engine and recover engine**

Cut engine: \*AI2011BB1#

recover engine: \*AI2011BB0#

**Cancel alarm** \*AI2011BC#

**Voice monitoring**\*AI2011BFnn...n#

**nn...n**: means the monitor mobile number, The device will call the mobile by auto and will be monitored

e.g.: \*AI2011BF13876543210#

**mileage information management** \*AI2011BHvc#

**v**: (1) upload mileage; (0) do not upload mileage.

**c**: (1) clear mileage; (0) do not clear mileage

e.g. \*AI2011BH10# It means ask the device upload the mileage information, mileage cleared

**Set the report time interval** \*AI2011BItttFFFF#

**tttt**: time interval, hexadecimal number is made up of 4 byte ASCII. E.g.:**001E** (0x001E) means 30 seconds;

**012C** (0x012C) means 300 seconds.

Note: Above E-K commands should be set by the center number, you can change the red parts.

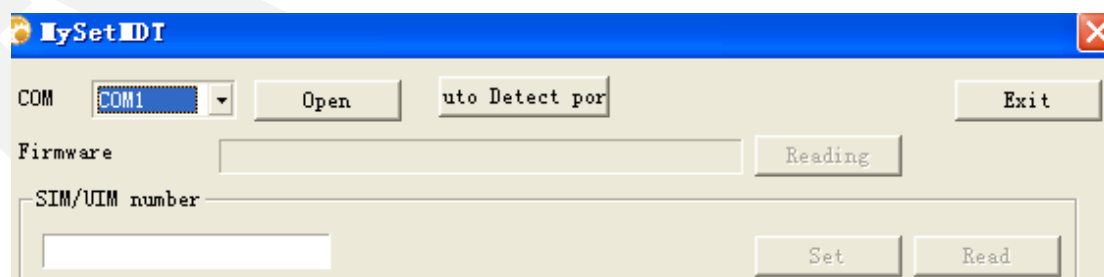
## 2) Configure by PC Program, Track by web software

(1) Connect the Set up cable to PC RS232

(2) Download the ET800 Setup program from ExtremTrac website download page, Extract the MysetMDT file



then click you will get the following Interface:



(3) Choose the right com port, fill all the information then save.

## 4 Configure ET800 online to EX1000 web based software

- A. Please notify to us the SIM card number in the device and the time zone in your area , we will open an account for you to test. Contact us by:

Call: +86 755 33079650 2. skype: leo.extremtrac 3. MSN: [leo@extremtrac.com](mailto:leo@extremtrac.com) 4. E-mail: [leo@extremtrac.com](mailto:leo@extremtrac.com)

We will inform you the account name we opened for you, then you can carry out the next steps.

- B. Open the back cover, insert the SIM card into the device, the SIM card should have GPRS and SMS functions.  
C. connect the wire follow the above diagram.  
D. send the message to the device make it online onto EX1000

Please send the following command If the APN no user name and password

(4U,center number,220165009225,12342332,APN,, SIM/UIM number,,1)

For example: (4U,13927497492,220165009225,12342332,CMNET,,13425173159,,1)

Please send the following command if the APN have both user name and password

(4U,center number,220165009225,12342332,APN,,SIM/UIM number,1,User name Password)

For example: (4U,13927497492,220165009225,12342332,APN,,13425173159,1,CARD CARD)

Note: ( ) should send by the semi-separated characters, there is a space between User name and password, you will get the reply " Done" after you sent this command . SIM/UIM number should set the same as the SIM/UIM number registered in the software.

- E. Then login: [www.webgpstracking.net](http://www.webgpstracking.net) input your login name and password, the device will show in the map.



## 5. FAQ

A: Why the led of the device doesn't flash and the device can't work after I connect the power wire?

B: Please check did you put the ACC (yellow cable) together with the thick red cable based from 16 pin wires connect to the power 12V(+)

A: Why I didn't get the reply "Done" after I sent the command to make the device online in the websoftware

B: Please check the format and information of the command all are correct .

did you send ( ) by the semi-separated characters?

A: Why the device can't be online after I got the reply "Done" ?

B: please check the SIM card inside the device , is it opened GPRS function? Are you sure the IP, Port, APN, User name and password ( most important ) all are correct. Please check is the SIM card has balance. Please use the handset dial **"\*#02#"** to check it .

A: Why the time show in the websoftware is not correct ?

B: The time depends on your server , the time zone set in your account and the strength of the communication signal. Please check all of them.

A: Why the device show the speed 5Km/H in the map when it stops ?

B: Because the GPS signal is not good, it will drifts sometimes. This is normal.

A: Why i received the reply for so long time after I sent the comand (AT\*P11111) ?

B: Command -> the device -> the websoftware -> the device -> your mobile, this is a many steps of process, so the time depends on the network quality in your country.

A: Why I can't get the alarm message after I set the SMS number in the SMS notification ?

B: Please check did you set the right SMS number in the SMS notification, you should set the SMS number the same as the number show in the handset or the display when you send a message to the handset or display.

A: Why I can't see the image after I took the pictures?

B: Please check did you set the time interval more than 30 seconds. please restart the device if it has bad communication signal for a long time before.

A: Why the fuel report is not accurate ?

B: Please check did you put the green wire connect to the right fuel meter wire in your vehicle, every step you should test very accurately including the latency time. You should leave the fuel in the fuel tank less than half , the less the better before you test the fuel parameters.

ExtremeTrac